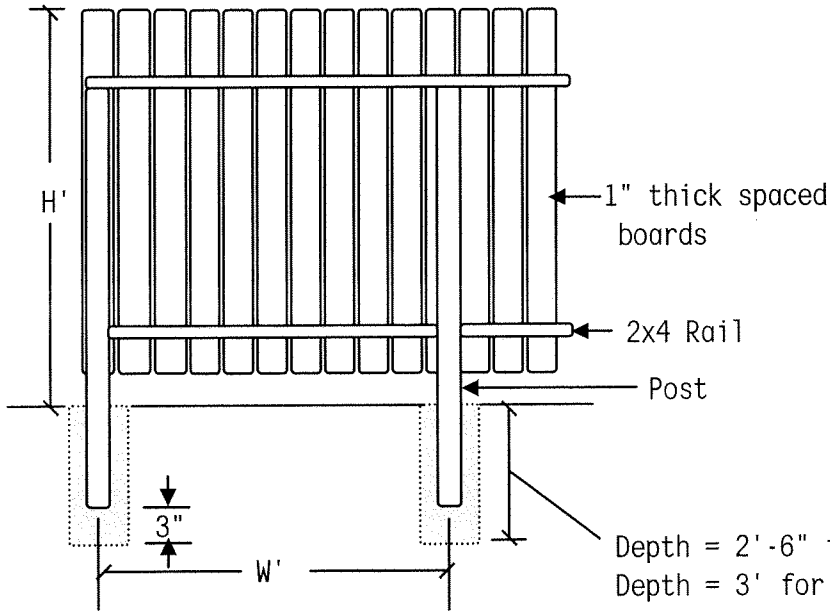




**City of El Cajon**  
**Building Division**  
 200 E. Main St.  
 El Cajon, CA 92020  
 Phone: (619) 441-1726, 1727

## Fence Detail

Wood Fence



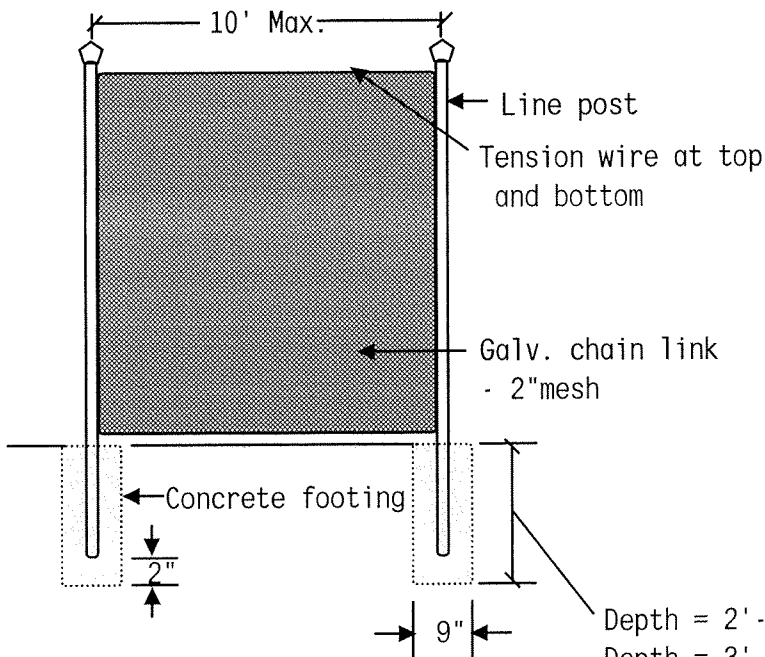
Post Spacing

H'	Material	W'
4'-0"	4 x 4 Post	6'-0"
5'-0"	4 x 4 Post	6'-0"
6'-0"	4 x 4 Post	6'-0"
4'-0"	4 x 6 Post	8'-0"
5'-0"	4 x 6 Post	8'-0"
6'-0"	4 x 6 Post	8'-0"

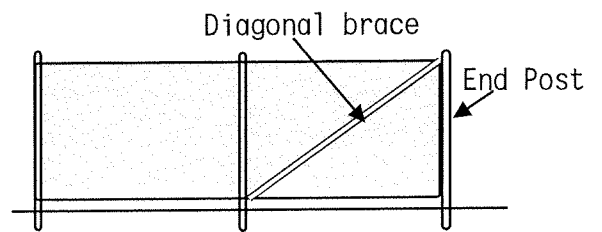
Note: All posts shall be pressure treated or redwood.

Depth = 2'-6" for fence height of 5' or under  
 Depth = 3' for fence height over 5'

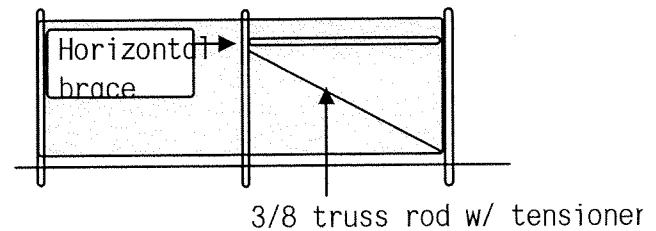
Chain Link Fence



Chain Link - End or Corner



Alternate



Depth = 2'-6" for fence height of 5' or under  
 Depth = 3' for fence height over 5'